



## Thule Rapid System Kit 1400

# > Instructions

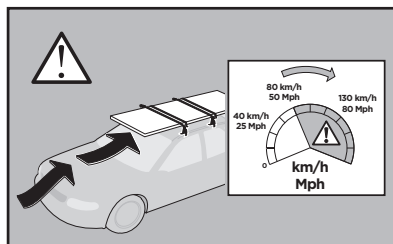
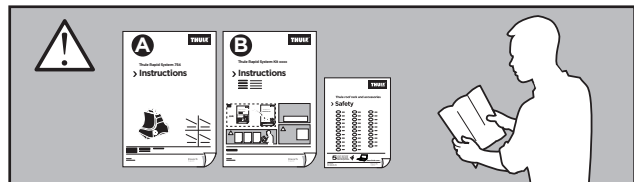
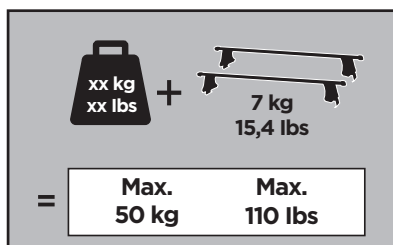
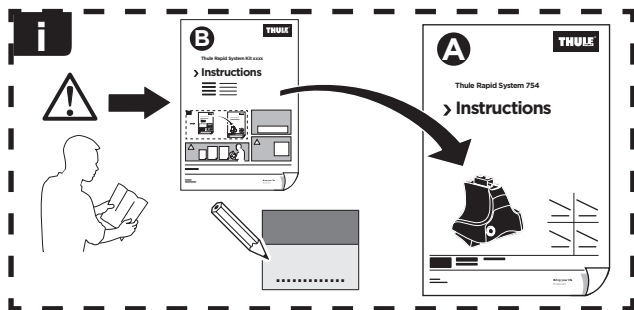
**JMC Vigus**, 4-dr Double Cab, 15-

**MITSUBISHI Challenger**, 4-dr Double Cab, 11-16

**MITSUBISHI Challenger**, 5-dr SUV, 11-16

**MITSUBISHI L200**, 4-dr Double Cab, 05-09, 10-15

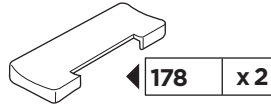
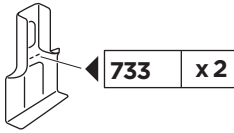
**MITSUBISHI Triton**, 4-dr Double Cab, 05-09, 10-15



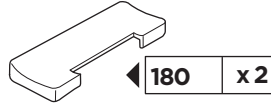
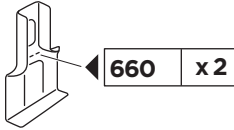
ISO 11154-E

141400  
C.20160815  
519-1400-06

Bring your life  
thule.com



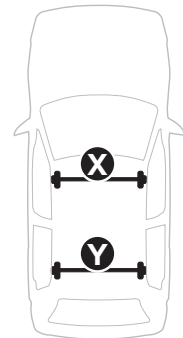
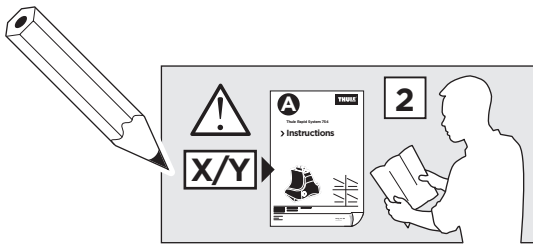
x1



x1

1

	X (scale)	X (mm)	X (inch)
<b>JMC Vigus</b> , 4-dr Double Cab, 15-	40	1051	41 <sup>3</sup> / <sub>8</sub>
<b>MITSUBISHI Challenger</b> , 4-dr Double Cab, 11-16	40	1051	41 <sup>3</sup> / <sub>8</sub>
<b>MITSUBISHI Challenger</b> , 5-dr SUV, 11-16	40	1051	41 <sup>3</sup> / <sub>8</sub>
<b>MITSUBISHI L200</b> , 4-dr Double Cab, 05-09, 10-15	40	1051	41 <sup>3</sup> / <sub>8</sub>
<b>MITSUBISHI Triton</b> , 4-dr Double Cab, 05-09, 10-15	40	1051	41 <sup>3</sup> / <sub>8</sub>



	Y (scale)	Y (mm)	Y (inch)
<b>JMC Vigus</b> , 4-dr Double Cab, 15-	31	991	37 <sup>7</sup> / <sub>8</sub>
<b>MITSUBISHI Challenger</b> , 4-dr Double Cab, 11-16	34,5	996	39 <sup>1</sup> / <sub>4</sub>
<b>MITSUBISHI Challenger</b> , 5-dr SUV, 11-16	34,5	996	39 <sup>1</sup> / <sub>4</sub>
<b>MITSUBISHI L200</b> , 4-dr Double Cab, 05-09, 10-15	34,5	996	39 <sup>1</sup> / <sub>4</sub>
<b>MITSUBISHI Triton</b> , 4-dr Double Cab, 05-09, 10-15	34,5	996	39 <sup>1</sup> / <sub>4</sub>

# 2

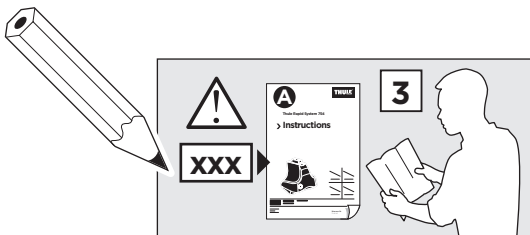
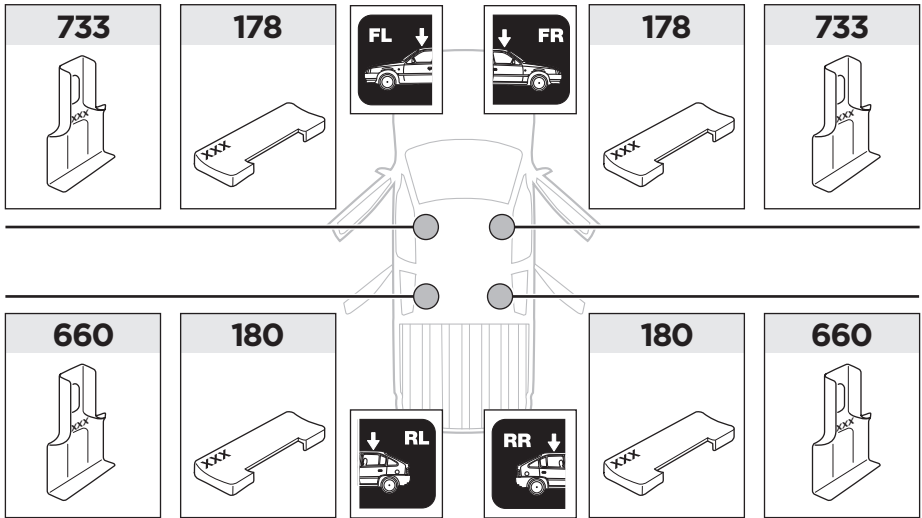
**JMC Vigus**, 4-dr Double Cab, 15-

**MITSUBISHI Challenger**, 4-dr Double Cab, 11-16

**MITSUBISHI Challenger**, 5-dr SUV, 11-16

**MITSUBISHI L200**, 4-dr Double Cab, 05-09, 10-15

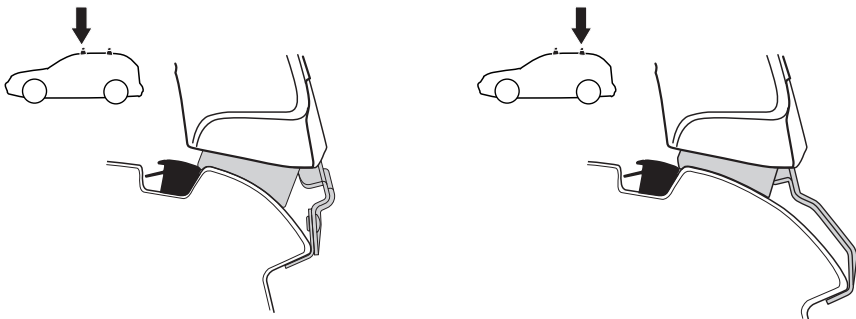
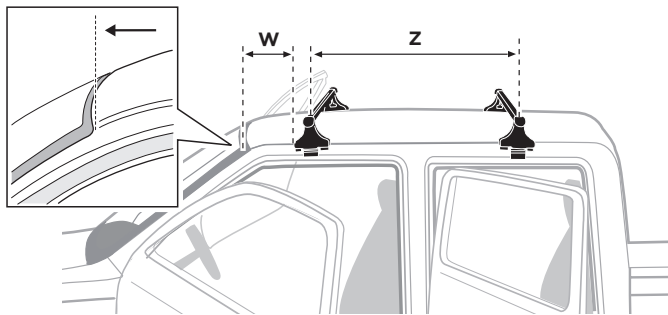
**MITSUBISHI Triton**, 4-dr Double Cab, 05-09, 10-15



3



	W (mm)	Z (mm)	W (inch)	Z (inch)
<b>JMC Vigus</b> , 4-dr Double Cab, 15-	350	800	13 3/4	31 1/2
<b>MITSUBISHI Challenger</b> , 4-dr Double Cab, 11-16	350	800	13 3/4	31 1/2
<b>MITSUBISHI Challenger</b> , 5-dr SUV, 11-16	350	800	13 3/4	31 1/2
<b>MITSUBISHI L200</b> , 4-dr Double Cab, 05-09, 10-15	350	800	13 3/4	31 1/2
<b>MITSUBISHI Triton</b> , 4-dr Double Cab, 05-09, 10-15	350	800	13 3/4	31 1/2



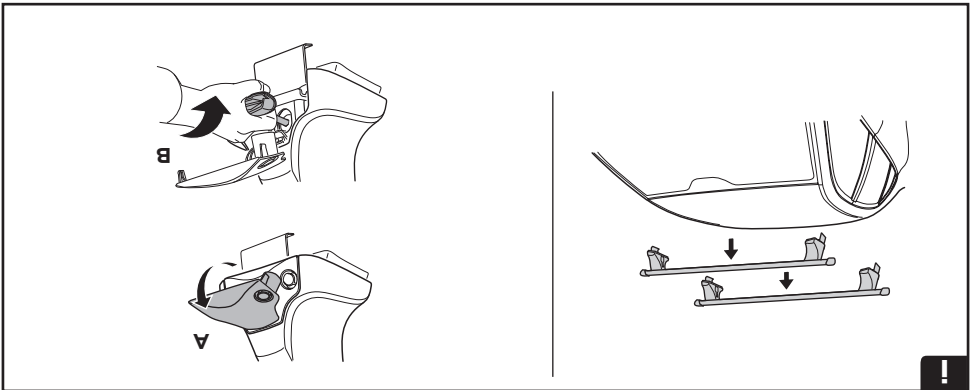
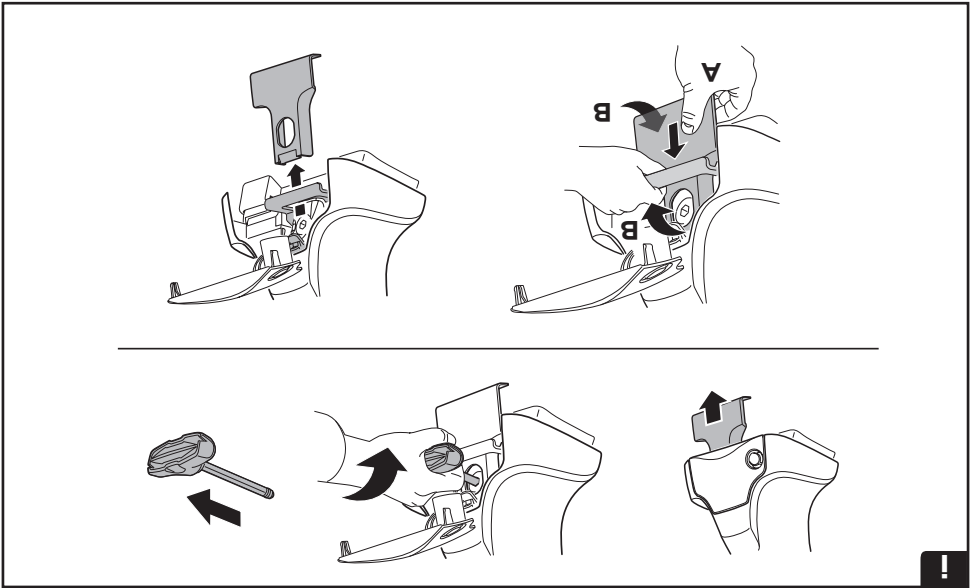
Thule Sweden AB, Box 69, 330 33 Hillerstorp, SWEDEN  
 Thule Inc., 42 Silvermine Road, Seymour, Connecticut 06483, USA

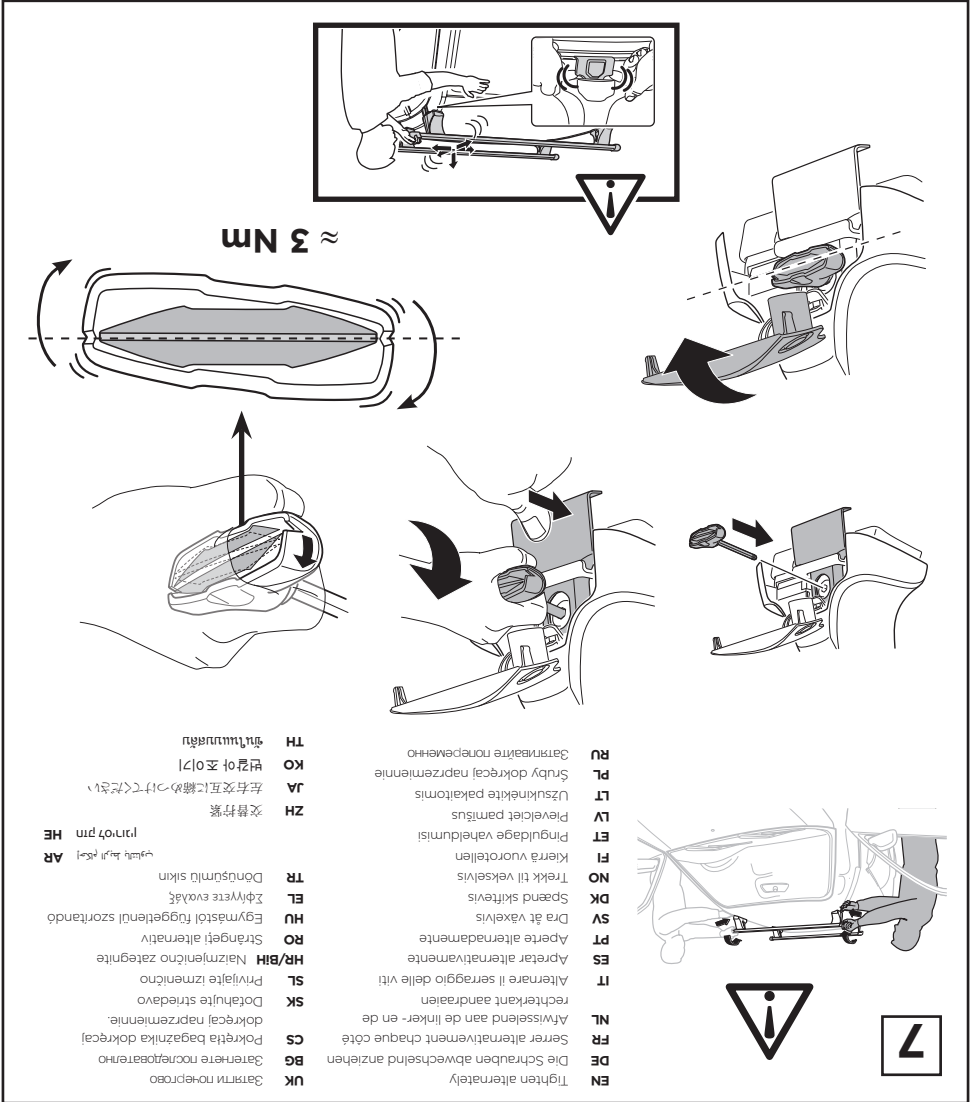
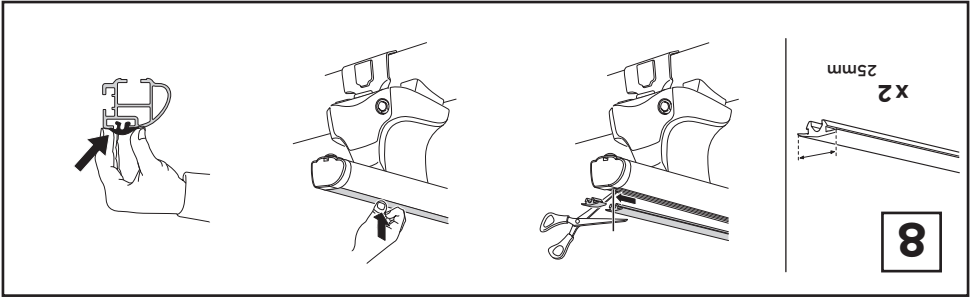
info@thule.com  
 Phone: 800-238-2388

www.thule.com

› PART OF THULE GROUP

© Thule Group 2015. All rights reserved.



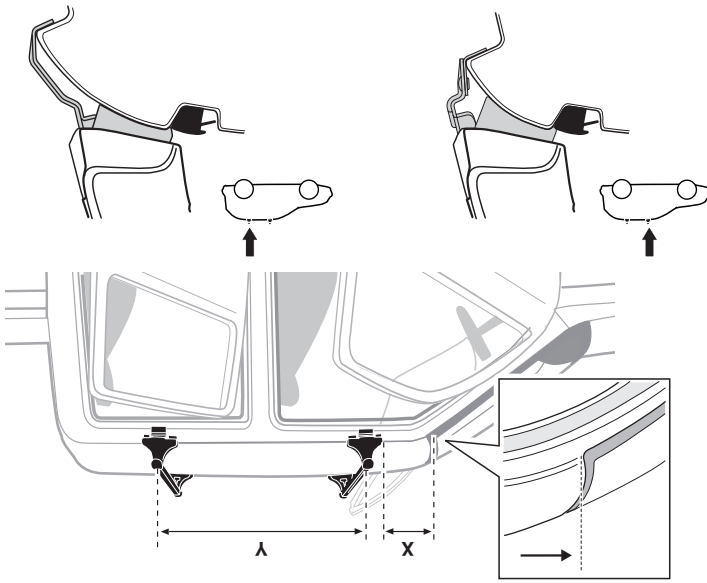


- |        |                                   |    |   |
|--------|-----------------------------------|----|---|
| UK     | Застригайте по-непросто           | EN | Trim the alternately                                    |
| BG     | Застригнете по-непросто           | DE | Die Schrauben abwechselnd anziehen                      |
| CS     | Pokřežte bagazníka dokřežací      | FR | Serrer alternativement chaque côté                      |
| SK     | Dokřežajte stredavo               | NL | Afwisselend aan de linker- en de rechterkant aandraaien |
| SL     | Privijajte izmenično              | IT | Alternare il serraggio delle viti                       |
| HR/BIH | Naizmjenično zategnite            | ES | Apertar alternativamente                                |
| RO     | Strângereți alternativ            | PT | Aperte alternadamente                                   |
| HU     | Egyenestől fűggetlenül szorítandó | SV | Dra åt växelvis   |
| EL     | Σφιγνείτε εναλλάξ                 | DK | Spænd skiftevis   |
| TR     | Denüştümüü silkin                 | NO | Trekk til vekselvis                                     |
| AR     | تسحب ببطء                         | FI | Kierrä vuorotellen                                      |
| HE     | פרימוץ גרמ                        | ET | Pinguldage vaheldumisi                                  |
| ZH     | 交替拧紧                              | LV | Pievieciēt pamīšus                                      |
| JA     | 左右交互に締めこむこと                       | LT | Užsukinėkite pakaitomis                                 |
| KO     | 좌우交互로 조이기                         | PL | Srubby dokřežací naprzemiennie                          |
| TH     | สลับหมุนเบา                       | RU | Застригивайте попеременно                               |

≈ 3 Nm

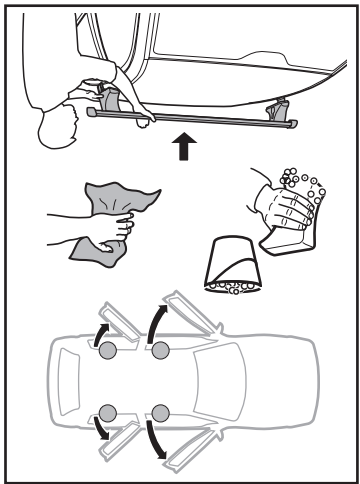
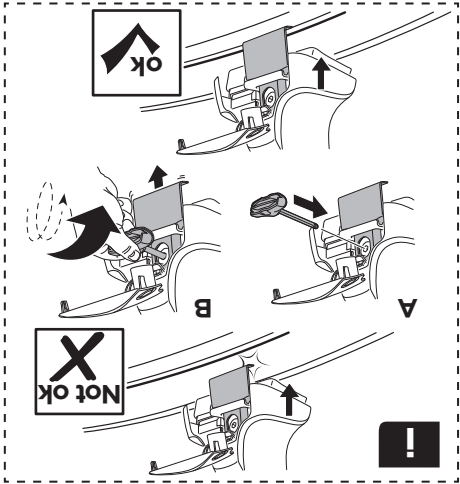


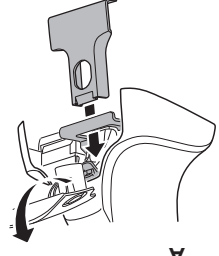
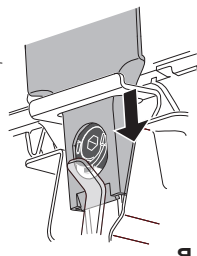
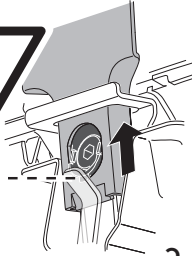
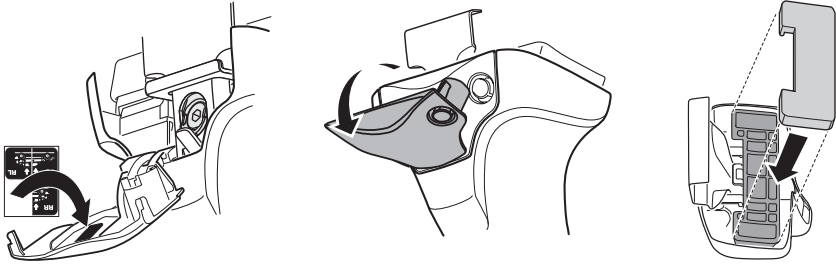
7



31 1/2	13 3/4	800	350	MITSUBISHI Triton, 4-dr Double Cab, 05-09, 10-15
31 1/2	13 3/4	800	350	MITSUBISHI L200, 4-dr Double Cab, 05-09, 10-15
31 1/2	13 3/4	800	350	MITSUBISHI Challenger, 5-dr SUV, 11-16
31 1/2	13 3/4	800	350	MITSUBISHI Challenger, 4-dr Double Cab, 11-16
31 1/2	13 3/4	800	350	JMC Vigus, 4-dr Double Cab, 15-

X mm    X inch    Y mm    Y inch





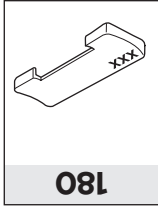
A

B

C



660



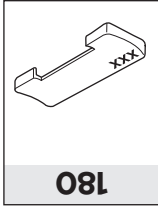
180



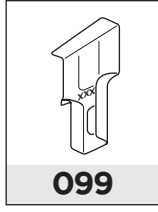
RR ↑



RL ↑



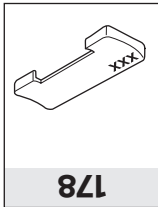
180



660



733



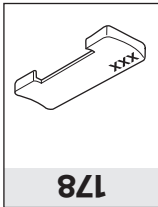
178



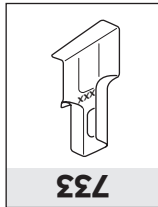
RR ↑



FL ↑



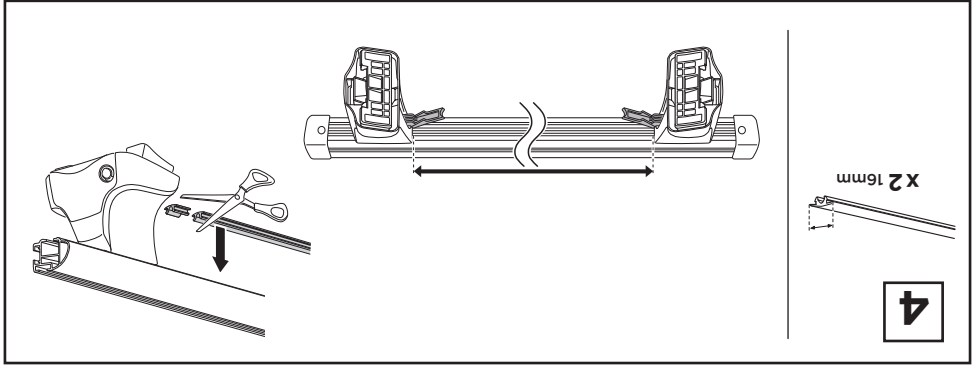
178



733

- JMC Vigus, 4-dr Double Cab, 15-
- MITSUBISHI Challenger, 4-dr Double Cab, 11-16
- MITSUBISHI Challenger, 5-dr SUV, 11-16
- MITSUBISHI L200, 4-dr Double Cab, 05-09, 10-15
- MITSUBISHI Triton, 4-dr Double Cab, 05-09, 10-15





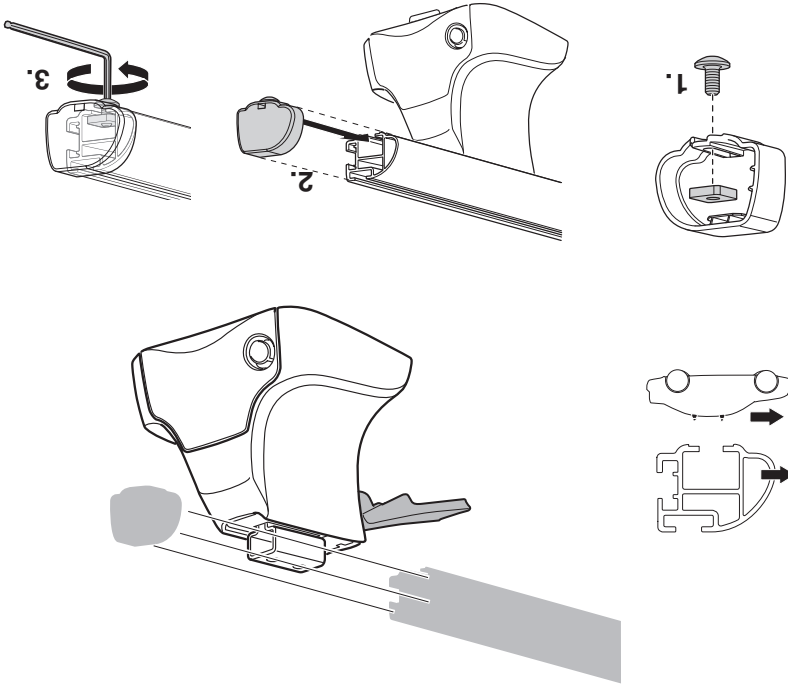
996	39 1/4	MITSUBISHI Triton, 4-dr Double Cab, 05-09, 10-15
996	39 1/4	MITSUBISHI L200, 4-dr Double Cab, 05-09, 10-15
996	39 1/4	MITSUBISHI Challenger, 5-dr SUV, 11-16
996	39 1/4	MITSUBISHI Challenger, 4-dr Double Cab, 11-16
991	37 7/8	JMC Vigus, 4-dr Double Cab, 15-

Y inch Y mm

1051	41 3/8	MITSUBISHI Triton, 4-dr Double Cab, 05-09, 10-15
1051	41 3/8	MITSUBISHI L200, 4-dr Double Cab, 05-09, 10-15
1051	41 3/8	MITSUBISHI Challenger, 5-dr SUV, 11-16
1051	41 3/8	MITSUBISHI Challenger, 4-dr Double Cab, 11-16
1051	41 3/8	JMC Vigus, 4-dr Double Cab, 15-

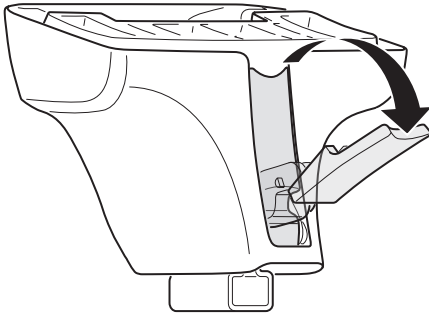
X inch X mm

3

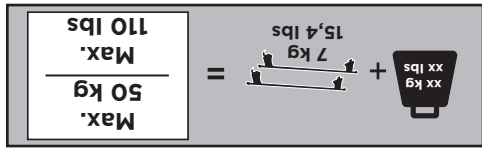
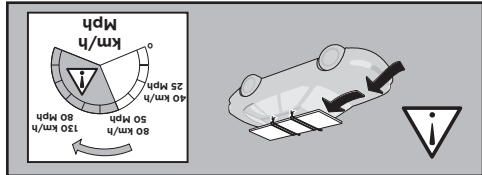
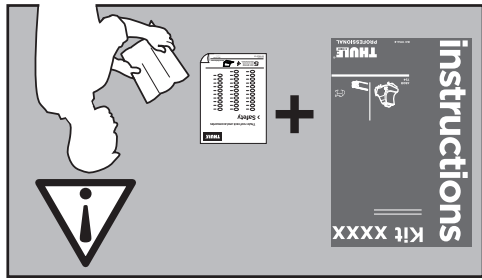
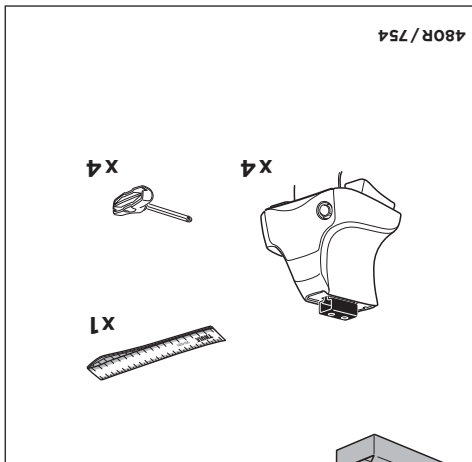
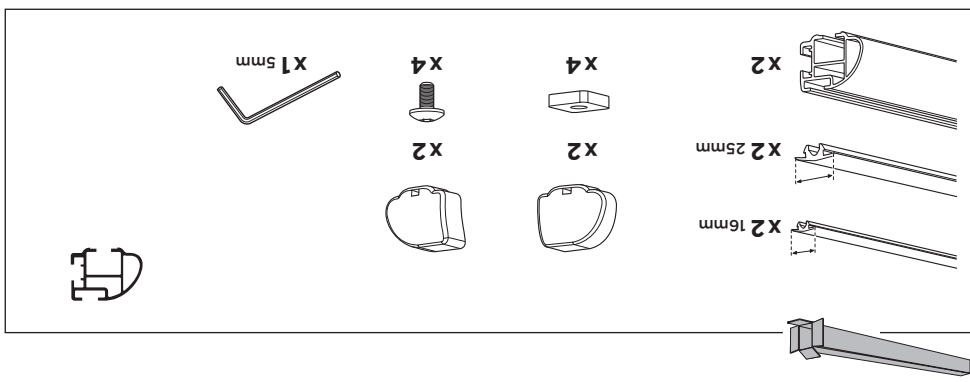
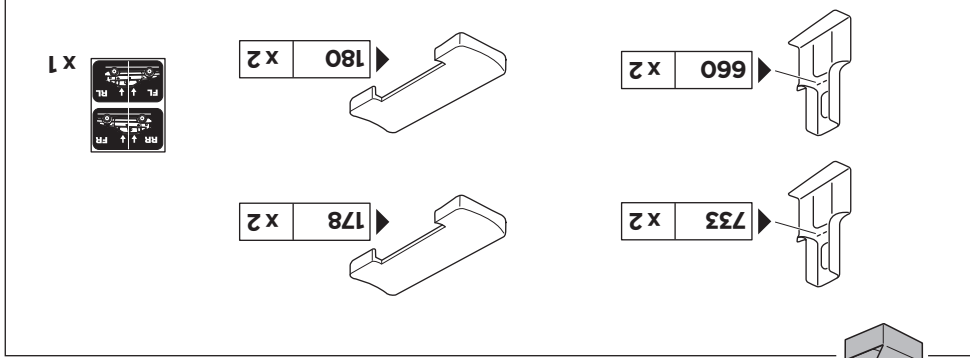


- X1 5mm Allen key
- X4 screws
- X4 spacers
- X2 handle components
- X2 handle components

2



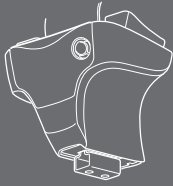
1



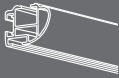
# instructions

## Kit 1400

JMC Vigus, 4-dr Double Cab, 15-  
MITSUBISHI Challenger, 4-dr Double Cab, 11-16  
MITSUBISHI Challenger, 5-dr SUV, 11-16  
MITSUBISHI L200, 4-dr Double Cab, 05-09, 10-15  
MITSUBISHI Triton, 4-dr Double Cab, 05-09, 10-15



480R  
754



C:20160815 519-1400-06

ISO 11154-E

PROFESSIONAL

**THULE**  
SWEDEN